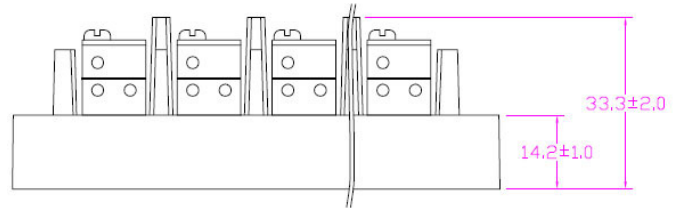
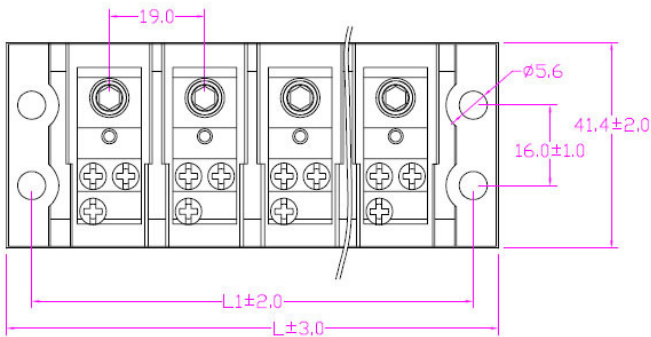




# POWER DISTRIBUTION BLOCKS ( TGP-085 )

( TGP-085 ), JHC Type



Product	TGP-085-02JHC	TGP-085-03JHC	TGP-085-04JHC	TGP-085-05JHC
---------	---------------	---------------	---------------	---------------

Specifications

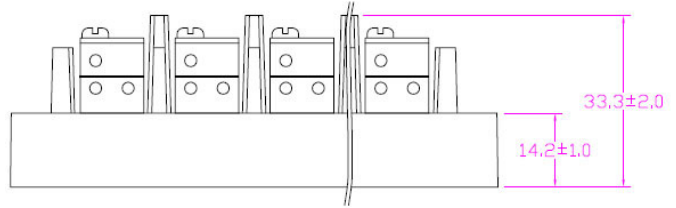
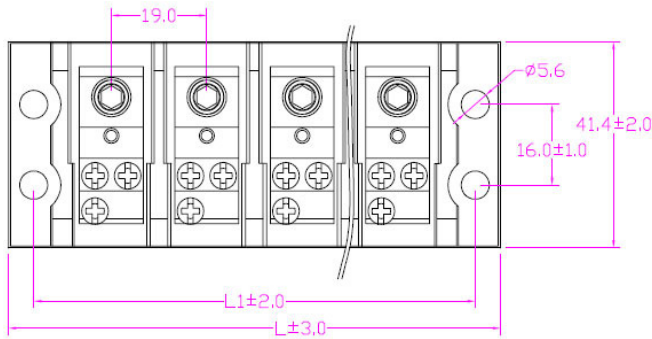


Total Length ( L ) [mm]	59.8 (2.354" )	79.0 (3.110" )	97.4 (3.835" )	116.8 (4.598" )
Ref. Length ( L1 ) [mm]	48.0 (1.890" )	67.0 (2.638" )	86.0 (3.386" )	105.0 (4.134" )
Ref. Length ( L2 ) [mm]	19.0 (0.748" )	19.0 (0.748" )	19.0 (0.748" )	19.0 (0.748" )
Ref. Length ( L3 ) [mm]	16.0 (0.630" )	16.0 (0.630" )	16.0 (0.630" )	16.0 (0.630" )
Width ( W ) [mm]	41.0 (1.614" )	41.0 (1.614" )	41.0 (1.614" )	41.0 (1.614" )
Ref. Width ( W1 ) [mm]	16.0 (0.630" )	16.0 (0.630" )	16.0 (0.630" )	16.0 (0.630" )
Height ( H ) [mm]	33.2 (1.307" )	33.2 (1.307" )	33.2 (1.307" )	33.2 (1.307" )
Screws	Hexagon Socket Set Screw, 5/16-24 Zinc Plated Steel	Hexagon Socket Set Screw, 5/16-24 Zinc Plated Steel	Hexagon Socket Set Screw, 5/16-24 Zinc Plated Steel	Hexagon Socket Set Screw, 5/16-24 Zinc Plated Steel
Rated Torque (Front / Back) [N-M]	6.8 / 0.7 N-M	6.8 / 0.7 N-M	6.8 / 0.7 N-M	6.8 / 0.7 N-M
Rated Torque (Front / Back) [in-lb]	60.19 / 6.20 in-lb	60.19 / 6.20 in-lb	60.19 / 6.20 in-lb	60.19 / 6.20 in-lb
Poles	<b>2</b>	<b>3</b>	<b>4</b>	<b>5</b>
Electrical Specifications				
Rated Voltage [ V ]	<b>600V</b>	<b>600V</b>	<b>600V</b>	<b>600V</b>
Rated Current [ A ]	<b>85A</b>	<b>85A</b>	<b>85A</b>	<b>85A</b>
Wire Size (Front / Back) [AWG]	#2-14 / 12-20 AWG	#2-14 / 12-20 AWG	#2-14 / 12-20 AWG	#2-14 / 12-20 AWG
Wire Size (Front / Back) [mm <sup>2</sup> ]	33.63-2.08 / 3.30-0.52 mm <sup>2</sup>	33.63-2.08 / 3.30-0.52 mm <sup>2</sup>	33.63-2.08 / 3.30-0.52 mm <sup>2</sup>	33.63-2.08 / 3.30-0.52 mm <sup>2</sup>
Materials				
Insulator Materials	PBT	PBT	PBT	PBT
Color	BLACK	BLACK	BLACK	BLACK
Flame Retarded Grade	UL 94V-0	UL 94V-0	UL 94V-0	UL 94V-0
Temperature	120°C	120°C	120°C	120°C
Certification	UL/cUL E235927	UL/cUL E235927	UL/cUL E235927	UL/cUL E235927



# POWER DISTRIBUTION BLOCKS ( TGP-085 )

( TGP-085 ), JHC Type



Product	TGP-085-06JHC	TGP-085-07JHC	TGP-085-08JHC
---------	---------------	---------------	---------------

## Specifications

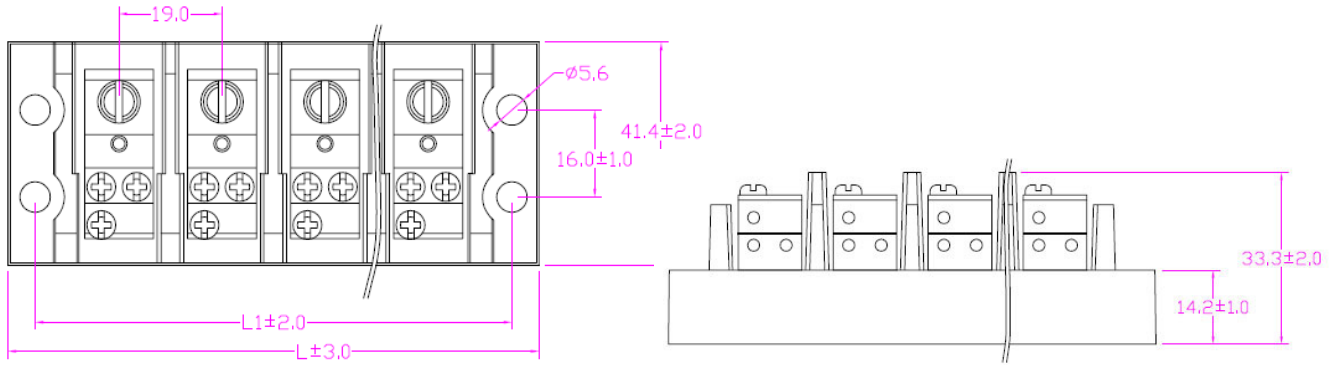


Total Length ( L ) [mm]	136.2 (5.362" )	154.8 (6.094" )	174.0 (6.850" )
Ref. Length ( L1 ) [mm]	124.0 (4.882" )	143.0 (5.630" )	162.0 (6.378" )
Ref. Length ( L2 ) [mm]	19.0 (0.748" )	19.0 (0.748" )	19.0 (0.748" )
Ref. Length ( L3 ) [mm]	16.0 (0.630" )	16.0 (0.630" )	16.0 (0.630" )
Width ( W ) [mm]	41.0 (1.614" )	41.0 (1.614" )	41.0 (1.614" )
Ref. Width ( W1 ) [mm]	16.0 (0.630" )	16.0 (0.630" )	16.0 (0.630" )
Height ( H ) [mm]	33.2 (1.307" )	33.2 (1.307" )	33.2 (1.307" )
Screws	Hexagon Socket Set Screw, 5/16-24 Zinc Plated Steel	Hexagon Socket Set Screw, 5/16-24 Zinc Plated Steel	Hexagon Socket Set Screw, 5/16-24 Zinc Plated Steel
Rated Torque (Front / Back) [N-M]	6.8 / 0.7 N-M	6.8 / 0.7 N-M	6.8 / 0.7 N-M
Rated Torque (Front / Back) [in-lb]	60.19 / 6.20 in-lb	60.19 / 6.20 in-lb	60.19 / 6.20 in-lb
Poles	<b>6</b>	<b>7</b>	<b>8</b>
Electrical Specifications			
Rated Voltage [ V ]	<b>600V</b>	<b>600V</b>	<b>600V</b>
Rated Current [ A ]	<b>85A</b>	<b>85A</b>	<b>85A</b>
Wire Size (Front / Back) [AWG]	#2-14 / 12-20 AWG	#2-14 / 12-20 AWG	#2-14 / 12-20 AWG
Wire Size (Front / Back) [mm <sup>2</sup> ]	33.63-2.08 / 3.30-0.52 mm <sup>2</sup>	33.63-2.08 / 3.30-0.52 mm <sup>2</sup>	33.63-2.08 / 3.30-0.52 mm <sup>2</sup>
Materials			
Insulator Materials	PBT	PBT	PBT
Color	BLACK	BLACK	BLACK
Flame Retarded Grade	UL 94V-0	UL 94V-0	UL 94V-0
Temperature	120°C	120°C	120°C
Certification	UL/cUL E235927	UL/cUL E235927	UL/cUL E235927



# POWER DISTRIBUTION BLOCKS ( TGP-085 )

( TGP-085 ), JSC Type



Product	TGP-085-02JSC	TGP-085-03JSC	TGP-085-04JSC	TGP-085-05JSC
---------	---------------	---------------	---------------	---------------

Specifications

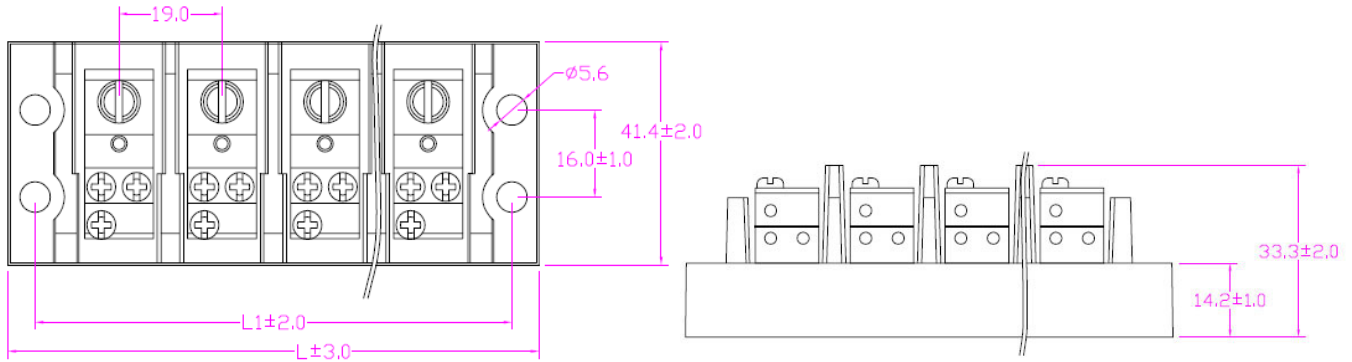


Total Length ( L ) [mm]	59.8 (2.354" )	79.0 (3.110" )	97.4 (3.835" )	116.8 (4.598" )
Ref. Length ( L1 ) [mm]	48.0 (1.890" )	67.0 (2.638" )	86.0 (3.386" )	105.0 (4.134" )
Ref. Length ( L2 ) [mm]	19.0 (0.748" )	19.0 (0.748" )	19.0 (0.748" )	19.0 (0.748" )
Ref. Length ( L3 ) [mm]	16.0 (0.630" )	16.0 (0.630" )	16.0 (0.630" )	16.0 (0.630" )
Width ( W ) [mm]	41.0 (1.614" )	41.0 (1.614" )	41.0 (1.614" )	41.0 (1.614" )
Ref. Width ( W1 ) [mm]	16.0 (0.630" )	16.0 (0.630" )	16.0 (0.630" )	16.0 (0.630" )
Height ( H ) [mm]	33.2 (1.307" )	33.2 (1.307" )	33.2 (1.307" )	33.2 (1.307" )
Screws	Slotted Set Screw, 5/16-24 Zinc Plated Steel	Slotted Set Screw, 5/16-24 Zinc Plated Steel	Slotted Set Screw, 5/16-24 Zinc Plated Steel	Slotted Set Screw, 5/16-24 Zinc Plated Steel
Rated Torque (Front / Back) [N-M]	6.8 / 0.7 N-M	6.8 / 0.7 N-M	6.8 / 0.7 N-M	6.8 / 0.7 N-M
Rated Torque (Front / Back) [in-lb]	60.19 / 6.20 in-lb	60.19 / 6.20 in-lb	60.19 / 6.20 in-lb	60.19 / 6.20 in-lb
Poles	<b>2</b>	<b>3</b>	<b>4</b>	<b>5</b>
Electrical Specifications				
Rated Voltage [ V ]	<b>600V</b>	<b>600V</b>	<b>600V</b>	<b>600V</b>
Rated Current [ A ]	<b>85A</b>	<b>85A</b>	<b>85A</b>	<b>85A</b>
Wire Size (Front / Back) [AWG]	#2-14 / 12-20 AWG	#2-14 / 12-20 AWG	#2-14 / 12-20 AWG	#2-14 / 12-20 AWG
Wire Size (Front / Back) [mm <sup>2</sup> ]	33.63-2.08 / 3.30-0.52 mm <sup>2</sup>	33.63-2.08 / 3.30-0.52 mm <sup>2</sup>	33.63-2.08 / 3.30-0.52 mm <sup>2</sup>	33.63-2.08 / 3.30-0.52 mm <sup>2</sup>
Materials				
Insulator Materials	PBT	PBT	PBT	PBT
Color	BLACK	BLACK	BLACK	BLACK
Flame Retarded Grade	UL 94V-0	UL 94V-0	UL 94V-0	UL 94V-0
Temperature	120°C	120°C	120°C	120°C
Certification	UL/cUL E235927	UL/cUL E235927	UL/cUL E235927	UL/cUL E235927



# POWER DISTRIBUTION BLOCKS ( TGP-085 )

( TGP-085 ), JSC Type



Product	TGP-085-06JSC	TGP-085-07JSC	TGP-085-08JSC
---------	---------------	---------------	---------------

## Specifications



Total Length ( L ) [mm]	136.2 ( 5.362" )	154.8 ( 6.094" )	174.0 ( 6.850" )
Ref. Length ( L1 ) [mm]	124.0 ( 4.882" )	143.0 ( 5.630" )	162.0 ( 6.378" )
Ref. Length ( L2 ) [mm]	19.0 ( 0.748" )	19.0 ( 0.748" )	19.0 ( 0.748" )
Ref. Length ( L3 ) [mm]	16.0 ( 0.630" )	16.0 ( 0.630" )	16.0 ( 0.630" )
Width ( W ) [mm]	41.0 ( 1.614" )	41.0 ( 1.614" )	41.0 ( 1.614" )
Ref. Width ( W1 ) [mm]	16.0 ( 0.630" )	16.0 ( 0.630" )	16.0 ( 0.630" )
Height ( H ) [mm]	33.2 ( 1.307" )	33.2 ( 1.307" )	33.2 ( 1.307" )
Screws	Slotted Set Screw, 5/16-24 Zinc Plated Steel	Slotted Set Screw, 5/16-24 Zinc Plated Steel	Slotted Set Screw, 5/16-24 Zinc Plated Steel
Rated Torque (Front / Back) [N-M]	6.8 / 0.7 N-M	6.8 / 0.7 N-M	6.8 / 0.7 N-M
Rated Torque (Front / Back) [in-lb]	60.19 / 6.20 in-lb	60.19 / 6.20 in-lb	60.19 / 6.20 in-lb
Poles	<b>6</b>	<b>7</b>	<b>8</b>
Electrical Specifications			
Rated Voltage [ V ]	<b>600V</b>	<b>600V</b>	<b>600V</b>
Rated Current [ A ]	<b>85A</b>	<b>85A</b>	<b>85A</b>
Wire Size (Front / Back) [AWG]	#2-14 / 12-20 AWG	#2-14 / 12-20 AWG	#2-14 / 12-20 AWG
Wire Size (Front / Back) [mm <sup>2</sup> ]	33.63-2.08 / 3.30-0.52 mm <sup>2</sup>	33.63-2.08 / 3.30-0.52 mm <sup>2</sup>	33.63-2.08 / 3.30-0.52 mm <sup>2</sup>
Materials			
Insulator Materials	PBT	PBT	PBT
Color	BLACK	BLACK	BLACK
Flame Retarded Grade	UL 94V-0	UL 94V-0	UL 94V-0
Temperature	120°C	120°C	120°C
Certification	UL/cUL E235927	UL/cUL E235927	UL/cUL E235927