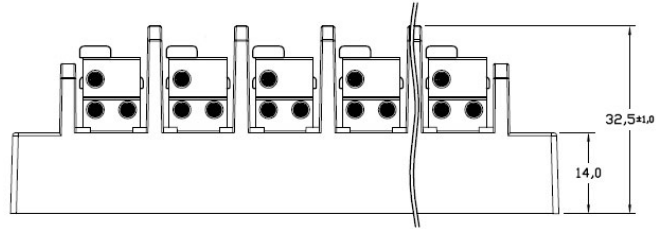
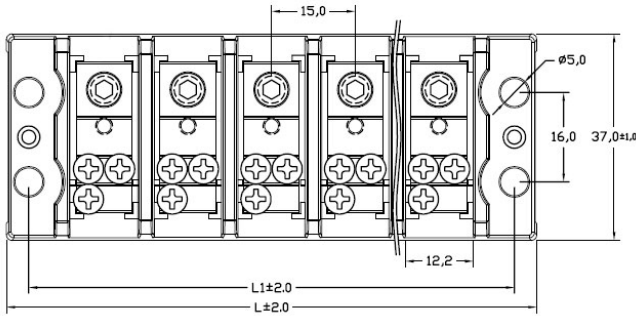




POWER DISTRIBUTION BLOCKS (TGP-050)

(TGP-050), JHC Type



Product	TGP-050-02JHC	TGP-050-03JHC	TGP-050-04JHC	TGP-050-05JHC
---------	---------------	---------------	---------------	---------------

Specifications



Total Length (L) [mm]	50.0 (1.969")	65.0 (2.559")	80.0 (3.150")	95.0 (3.740")
Ref. Length (L1) [mm]	42.0 (1.654")	57.0 (2.244")	72.0 (2.835")	87.0 (3.425")
Ref. Length (L2) [mm]	15.0 (0.591")	15.0 (0.591")	15.0 (0.591")	15.0 (0.591")
Ref. Length (L3) [mm]	10.0 (0.394")	10.0 (0.394")	10.0 (0.394")	10.0 (0.394")
Width (W) [mm]	37.0 (1.457")	37.0 (1.457")	37.0 (1.457")	37.0 (1.457")
Ref. Width (W1) [mm]	16.0 (0.630")	16.0 (0.630")	16.0 (0.630")	16.0 (0.630")
Height (H) [mm]	32.5 (1.280")	32.5 (1.280")	32.5 (1.280")	32.5 (1.280")

Screws

Hexagon Socket Set Screw,
M6-1.0
Zinc Plated Steel

Hexagon Socket Set Screw,
M6-1.0
Zinc Plated Steel

Hexagon Socket Set Screw,
M6-1.0
Zinc Plated Steel

Hexagon Socket Set Screw,
M6-1.0
Zinc Plated Steel

Rated Torque (Front / Back) [N-M]	2.3 / 0.7 N-M	2.3 / 0.7 N-M	2.3 / 0.7 N-M	2.3 / 0.7 N-M
Rated Torque (Front / Back) [in-lb]	20.36 / 6.20 in-lb	20.36 / 6.20 in-lb	20.36 / 6.20 in-lb	20.36 / 6.20 in-lb

Poles

2

3

4

5

Electrical Specifications				
Rated Voltage [V]	600V	600V	600V	600V
Rated Current [A]	50A	50A	50A	50A
Wire Size (Input / Output) [AWG]	AWG 6-16 / 12-20	AWG 6-16 / 12-20	AWG 6-16 / 12-20	AWG 6-16 / 12-20
Wire Size (Input / Output) [mm ²]	13.30-1.31/3.31-0.52mm ²	13.30-1.31/3.31-0.52mm ²	13.30-1.31/3.31-0.52mm ²	13.30-1.31/3.31-0.52mm ²

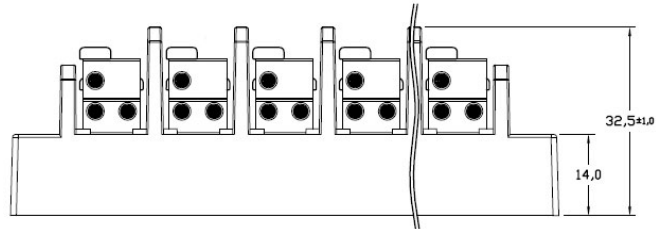
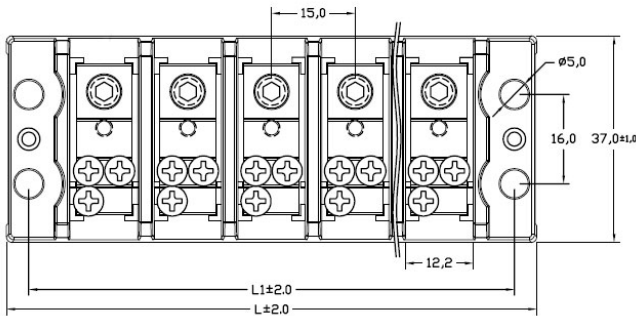
Materials

Insulator Materials	PBT	PBT	PBT	PBT
Color	BLACK	BLACK	BLACK	BLACK
Flame Retarded Grade	UL 94V-0	UL 94V-0	UL 94V-0	UL 94V-0
Temperature	120°C	120°C	120°C	120°C
Certification	UL/cUL E235927	UL/cUL E235927	UL/cUL E235927	UL/cUL E235927



POWER DISTRIBUTION BLOCKS (TGP-050)

(TGP-050), JHC Type



Product	TGP-050-06JHC	TGP-050-07JHC	TGP-050-08JHC	TGP-050-09JHC
---------	---------------	---------------	---------------	---------------

Specifications

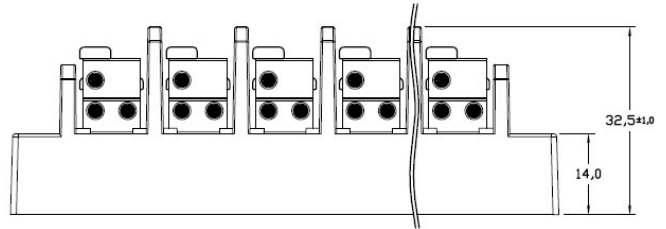
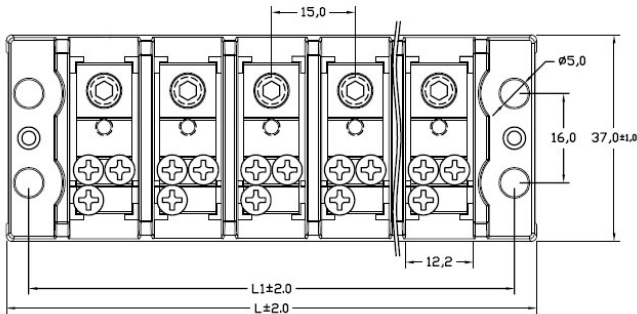


Total Length (L) [mm]	110.0 (4.331")	125.0 (4.921")	140.0 (5.512")	155.0 (6.102")
Ref. Length (L1) [mm]	102.0 (4.106")	117.0 (4.606")	132.0 (5.197")	147.0 (5.787")
Ref. Length (L2) [mm]	15.0 (0.591")	15.0 (0.591")	15.0 (0.591")	15.0 (0.591")
Ref. Length (L3) [mm]	10.0 (0.394")	10.0 (0.394")	10.0 (0.394")	10.0 (0.394")
Width (W) [mm]	37.0 (1.457")	37.0 (1.457")	37.0 (1.457")	37.0 (1.457")
Ref. Width (W1) [mm]	16.0 (0.630")	16.0 (0.630")	16.0 (0.630")	16.0 (0.630")
Height (H) [mm]	32.5 (1.280")	32.5 (1.280")	32.5 (1.280")	32.5 (1.280")
Screws	Hexagon Socket Set Screw, M6-1.0 Zinc Plated Steel	Hexagon Socket Set Screw,, M6-1.0 Zinc Plated Steel	Hexagon Socket Set Screw, M6-1.0 Zinc Plated Steel	Hexagon Socket Set Screw,, M6-1.0 Zinc Plated Steel
Rated Torque (Front / Back) [N-M]	2.3 / 0.7 N-M	2.3 / 0.7 N-M	2.3 / 0.7 N-M	2.3 / 0.7 N-M
Rated Torque (Front / Back) [in-lb]	20.36 / 6.20 in-lb	20.36 / 6.20 in-lb	20.36 / 6.20 in-lb	20.36 / 6.20 in-lb
Poles	6	7	8	9
Electrical Specifications				
Rated Voltage [V]	600V	600V	600V	600V
Rated Current [A]	50A	50A	50A	50A
Wire Size (Input / Output) [AWG]	AWG 6-16 / 12-20	AWG 6-16 / 12-20	AWG 6-16 / 12-20	AWG 6-16 / 12-20
Wire Size (Input / Output) [mm ²]	13.30-1.31/3.31-0.52mm ²	13.30-1.31/3.31-0.52mm ²	13.30-1.31/3.31-0.52mm ²	13.30-1.31/3.31-0.52mm ²
Materials				
Insulator Materials	PBT	PBT	PBT	PBT
Color	BLACK	BLACK	BLACK	BLACK
Flame Retarded Grade	UL 94V-0	UL 94V-0	UL 94V-0	UL 94V-0
Temperature	120°C	120°C	120°C	120°C
Certification	UL/cUL E235927	UL/cUL E235927	UL/cUL E235927	UL/cUL E235927



POWER DISTRIBUTION BLOCKS (TGP-050)

(TGP-050), JHC Type



Product	TGP-050-10JHC	TGP-050-11JHC	TGP-050-12JHC
---------	---------------	---------------	---------------

Specifications



Total Length (L) [mm]	170.0 (6.693")	185.0 (7.283")	200.0 (7.874")
Ref. Length (L1) [mm]	162.0 (6.378")	177.0 (6.969")	192.0 (7.559")
Ref. Width (L2) [mm]	15.0 (0.591")	15.0 (0.591")	15.0 (0.591")
Ref. Width (L3) [mm]	10.0 (0.394")	10.0 (0.394")	10.0 (0.394")
Width (W) [mm]	37.0 (1.457")	37.0 (1.457")	37.0 (1.457")
Ref. Width (W1) [mm]	16.0 (0.630")	16.0 (0.630")	16.0 (0.630")
Height (H) [mm]	32.5 (1.280")	32.5 (1.280")	32.5 (1.280")

Screws

Hexagon Socket Set Screw,
M6-1.0
Zinc Plated Steel

Hexagon Socket Set Screw,
M6-1.0
Zinc Plated Steel

Hexagon Socket Set Screw,
M6-1.0
Zinc Plated Steel

Rated Torque (Front / Back) [N-M]	2.3 / 0.7 N-M	2.3 / 0.7 N-M	2.3 / 0.7 N-M
Rated Torque (Front / Back) [in-lb]	20.36 / 6.20 in-lb	20.36 / 6.20 in-lb	20.36 / 6.20 in-lb

Poles	10	11	12
--------------	-----------	-----------	-----------

Electrical Specifications

Rated Voltage [V]	600V	600V	600V
----------------------------	-------------	-------------	-------------

Rated Current [A]	50A	50A	50A
----------------------------	------------	------------	------------

Wire Size (Input / Output) [AWG]	AWG 6-16 / 12-20	AWG 6-16 / 12-20	AWG 6-16 / 12-20
----------------------------------	------------------	------------------	------------------

Wire Size (Input / Output) [mm ²]	13.30-1.31/3.31-0.52mm ²	13.30-1.31/3.31-0.52mm ²	13.30-1.31/3.31-0.52mm ²
---	-------------------------------------	-------------------------------------	-------------------------------------

Materials

Base Materials	PBT	PBT	PBT
----------------	-----	-----	-----

Color	BLACK	BLACK	BLACK
-------	-------	-------	-------

Flame Retarded Grade	UL 94V-0	UL 94V-0	UL 94V-0
----------------------	----------	----------	----------

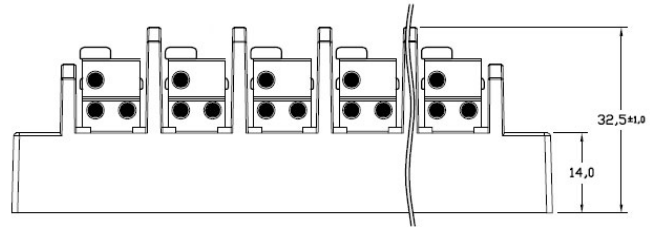
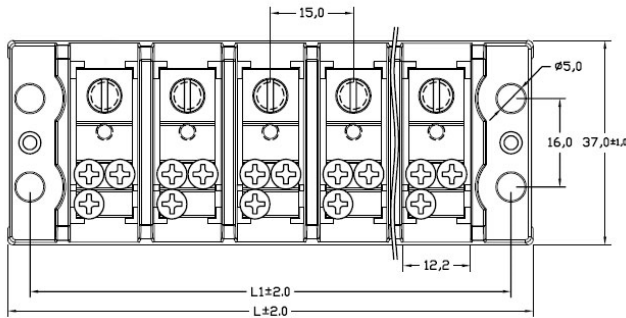
Temperature	120°C	120°C	120°C
-------------	-------	-------	-------

Certification	UL/cUL E235927	UL/cUL E235927	UL/cUL E235927
----------------------	-----------------------	-----------------------	-----------------------



POWER DISTRIBUTION BLOCKS (TGP-050)

(TGP-050), JSC Type



Product	TGP-050-02JSC	TGP-050-03JSC	TGP-050-04JSC	TGP-050-05JSC
---------	---------------	---------------	---------------	---------------

Specifications

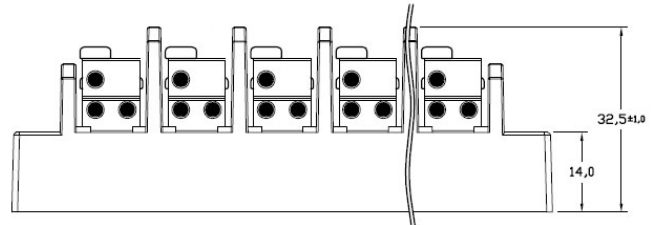
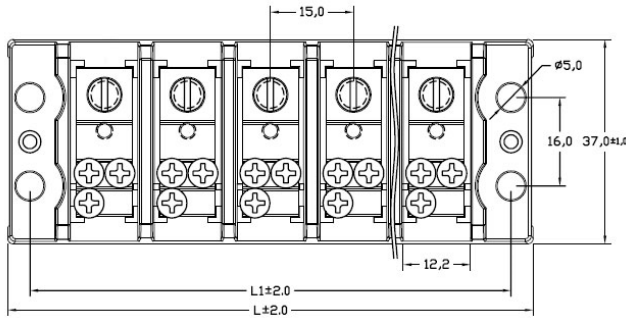


Total Length (L) [mm]	50.0 (1.969")	65.0 (2.559")	80.0 (3.150")	95.0 (3.740")
Ref. Length (L1) [mm]	42.0 (1.654")	57.0 (2.244")	72.0 (2.835")	87.0 (3.425")
Ref. Length (L2) [mm]	15.0 (0.591")	15.0 (0.591")	15.0 (0.591")	15.0 (0.591")
Ref. Length (L3) [mm]	10.0 (0.394")	10.0 (0.394")	10.0 (0.394")	10.0 (0.394")
Width (W) [mm]	37.0 (1.457")	37.0 (1.457")	37.0 (1.457")	37.0 (1.457")
Ref. Width (W1) [mm]	16.0 (0.630")	16.0 (0.630")	16.0 (0.630")	16.0 (0.630")
Height (H) [mm]	32.5 (1.280")	32.5 (1.280")	32.5 (1.280")	32.5 (1.280")
Screws	Slotted Set Screw, M6-1.0 Zinc Plated Steel	Slotted Set Screw, M6-1.0 Zinc Plated Steel	Slotted Set Screw, M6-1.0 Zinc Plated Steel	Slotted Set Screw, M6-1.0 Zinc Plated Steel
Rated Torque (Front / Back) [N-M]	2.3 / 0.7 N-M	2.3 / 0.7 N-M	2.3 / 0.7 N-M	2.3 / 0.7 N-M
Rated Torque (Front / Back) [in-lb]	20.36 / 6.20 in-lb	20.36 / 6.20 in-lb	20.36 / 6.20 in-lb	20.36 / 6.20 in-lb
Poles	2	3	4	5
Electrical Specifications				
Rated Voltage [V]	600V	600V	600V	600V
Rated Current [A]	50A	50A	50A	50A
Wire Size (Input / Output) [AWG]	AWG 6-16 / 12-20	AWG 6-16 / 12-20	AWG 6-16 / 12-20	AWG 6-16 / 12-20
Wire Size (Input / Output) [mm ²]	13.30-1.31/3.31-0.52mm ²	13.30-1.31/3.31-0.52mm ²	13.30-1.31/3.31-0.52mm ²	13.30-1.31/3.31-0.52mm ²
Materials				
Insulator Materials	PBT	PBT	PBT	PBT
Color	BLACK	BLACK	BLACK	BLACK
Flame Retarded Grade	UL 94V-0	UL 94V-0	UL 94V-0	UL 94V-0
Temperature	120°C	120°C	120°C	120°C
Certification	UL/cUL E235927	UL/cUL E235927	UL/cUL E235927	UL/cUL E235927



POWER DISTRIBUTION BLOCKS (TGP-050)

(TGP-050), JSC Type



Product	TGP-050-06JSC	TGP-050-07JSC	TGP-050-08JSC	TGP-050-09JSC
---------	---------------	---------------	---------------	---------------

Specifications

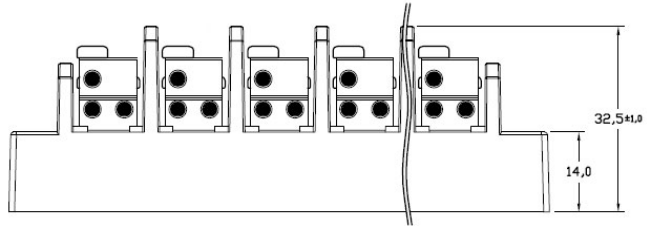
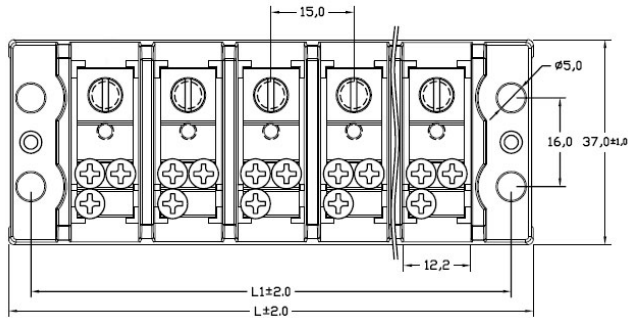





Total Length (L) [mm]	110.0 (4.331")	125.0 (4.921")	140.0 (5.512")	155.0 (6.102")
Ref. Length (L1) [mm]	102.0 (4.106")	117.0 (4.606")	132.0 (5.197")	147.0 (5.787")
Ref. Length (L2) [mm]	15.0 (0.591")	15.0 (0.591")	15.0 (0.591")	15.0 (0.591")
Ref. Length (L3) [mm]	10.0 (0.394")	10.0 (0.394")	10.0 (0.394")	10.0 (0.394")
Width (W) [mm]	37.0 (1.457")	37.0 (1.457")	37.0 (1.457")	37.0 (1.457")
Ref. Width (W1) [mm]	16.0 (0.630")	16.0 (0.630")	16.0 (0.630")	16.0 (0.630")
Height (H) [mm]	32.5 (1.280")	32.5 (1.280")	32.5 (1.280")	32.5 (1.280")
Screws	Slotted Set Screw, M6-1.0 Zinc Plated Steel	Slotted Set Screw, M6-1.0 Zinc Plated Steel	Slotted Set Screw, M6-1.0 Zinc Plated Steel	Slotted Set Screw, M6-1.0 Zinc Plated Steel
Rated Torque (Front / Back) [N-M]	2.3 / 0.7 N-M	2.3 / 0.7 N-M	2.3 / 0.7 N-M	2.3 / 0.7 N-M
Rated Torque (Front / Back) [in-lb]	20.36 / 6.20 in-lb	20.36 / 6.20 in-lb	20.36 / 6.20 in-lb	20.36 / 6.20 in-lb
Poles	6	7	8	9
Electrical Specifications				
Rated Voltage [V]	600V	600V	600V	600V
Rated Current [A]	50A	50A	50A	50A
Wire Size (Input / Output) [AWG]	AWG 6-16 / 12-20	AWG 6-16 / 12-20	AWG 6-16 / 12-20	AWG 6-16 / 12-20
Wire Size (Input / Output) [mm ²]	13.30-1.31/3.31-0.52mm ²	13.30-1.31/3.31-0.52mm ²	13.30-1.31/3.31-0.52mm ²	13.30-1.31/3.31-0.52mm ²
Materials				
Insulator Materials	PBT	PBT	PBT	PBT
Color	BLACK	BLACK	BLACK	BLACK
Flame Retarded Grade	UL 94V-0	UL 94V-0	UL 94V-0	UL 94V-0
Temperature	120°C	120°C	120°C	120°C
Certification	UL/cUL E235927	UL/cUL E235927	UL/cUL E235927	UL/cUL E235927



POWER DISTRIBUTION BLOCKS (TGP-050)

(TGP-050), JSC Type



Product	TGP-050-10JSC	TGP-050-11JSC	TGP-050-12JSC
Specifications			
Total Length (L) [mm]	170.0 (6.693")	185.0 (7.283")	200.0 (7.874")
Ref. Length (L1) [mm]	162.0 (6.378")	177.0 (6.969")	192.0 (7.559")
Ref. Width (L2) [mm]	15.0 (0.591")	15.0 (0.591")	15.0 (0.591")
Ref. Width (L3) [mm]	10.0 (0.394")	10.0 (0.394")	10.0 (0.394")
Width (W) [mm]	37.0 (1.457")	37.0 (1.457")	37.0 (1.457")
Ref. Width (W1) [mm]	16.0 (0.630")	16.0 (0.630")	16.0 (0.630")
Height (H) [mm]	32.5 (1.280")	32.5 (1.280")	32.5 (1.280")
Screws	Slotted Set Screw, M6-1.0 Zinc Plated Steel	Slotted Set Screw, M6-1.0 Zinc Plated Steel	Slotted Set Screw, M6-1.0 Zinc Plated Steel
Rated Torque (Front / Back) [N-M]	2.3 / 0.7 N-M	2.3 / 0.7 N-M	2.3 / 0.7 N-M
Rated Torque (Front / Back) [in-lb]	20.36 / 6.20 in-lb	20.36 / 6.20 in-lb	20.36 / 6.20 in-lb
Poles	10	11	12
Electrical Specifications			
Rated Voltage [V]	600V	600V	600V
Rated Current [A]	50A	50A	50A
Wire Size (Input / Output) [AWG]	AWG 6-16 / 12-20	AWG 6-16 / 12-20	AWG 6-16 / 12-20
Wire Size (Input / Output) [mm ²]	13.30-1.31/3.31-0.52mm ²	13.30-1.31/3.31-0.52mm ²	13.30-1.31/3.31-0.52mm ²
Materials			
Base Materials	PBT	PBT	PBT
Color	BLACK	BLACK	BLACK
Flame Retarded Grade	UL 94V-0	UL 94V-0	UL 94V-0
Temperature	120°C	120°C	120°C
Certification	UL/cUL E235927	UL/cUL E235927	UL/cUL E235927