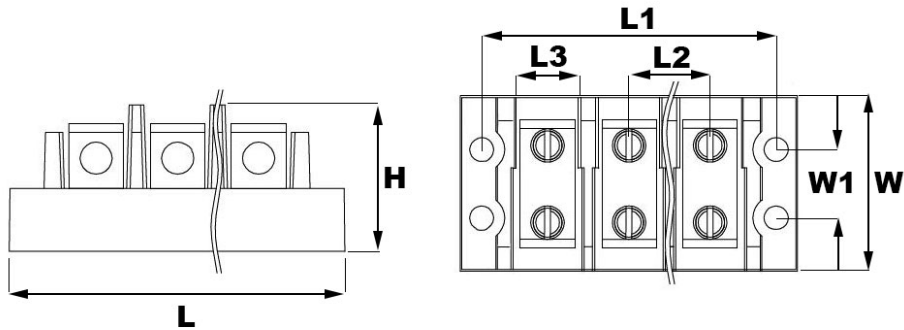








POWER SPLICER TERMINAL BLOCKS (TGP-050)

(TGP-050), BSS Type

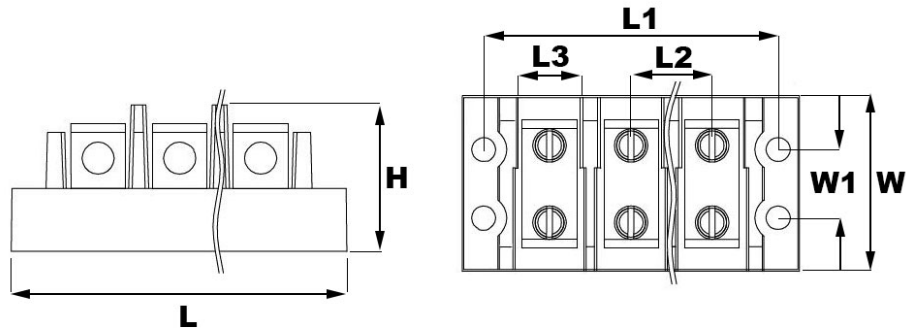






Product	TGP-050-02BSS	TGP-050-03BSS	TGP-050-04BSS	TGP-050-05BSS
Specifications				
Total Length (L) [mm]	50.0 (1.969")	65.0 (2.559")	80.0 (3.150")	95.0 (3.740")
Ref. Length (L1) [mm]	42.0 (1.654")	57.0 (2.244")	72.0 (2.835")	87.0 (3.425")
Ref. Length (L2) [mm]	15.0 (0.591")	15.0 (0.591")	15.0 (0.591")	15.0 (0.591")
Ref. Length (L3) [mm]	10.0 (0.394")	10.0 (0.394")	10.0 (0.394")	10.0 (0.394")
Width (W) [mm]	37.0 (1.457")	37.0 (1.457")	37.0 (1.457")	37.0 (1.457")
Ref. Width (W1) [mm]	16.0 (0.630")	16.0 (0.630")	16.0 (0.630")	16.0 (0.630")
Height (H) [mm]	32.5 (1.280")	32.5 (1.280")	32.5 (1.280")	32.5 (1.280")
Screws	Slotted Set Screw, M6-1.0	Slotted Set Screw, M6-1.0	Slotted Set Screw, M6-1.0	Slotted Set Screw, M6-1.0
Rated Torque [in-lb]	20 in-lb (2.26 Nm)	20 in-lb (2.26 Nm)	20 in-lb (2.26 Nm)	20 in-lb (2.26 Nm)
Poles	2	3	4	5
Electrical Specifications				
Rated Voltage [V]	600V	600V	600V	600V
Rated Current [A]	50A	50A	50A	50A
Wire Size [AWG]	AWG 6-12	AWG 6-12	AWG 6-12	AWG 6-12
Wire Size [mm ²]	14-3.5mm ²	14-3.5mm ²	14-3.5mm ²	14-3.5mm ²
Materials				
Insulator Materials	PBT	PBT	PBT	PBT
Color	BLACK	BLACK	BLACK	BLACK
Flame Retarded Grade	UL 94V-0	UL 94V-0	UL 94V-0	UL 94V-0
Temperature	120°C	120°C	120°C	120°C
Certification	UL/cUL E235927	UL/cUL E235927	UL/cUL E235927	UL/cUL E235927



POWER SPLICER TERMINAL BLOCKS (TGP-050)

(TGP-050), BSS Type

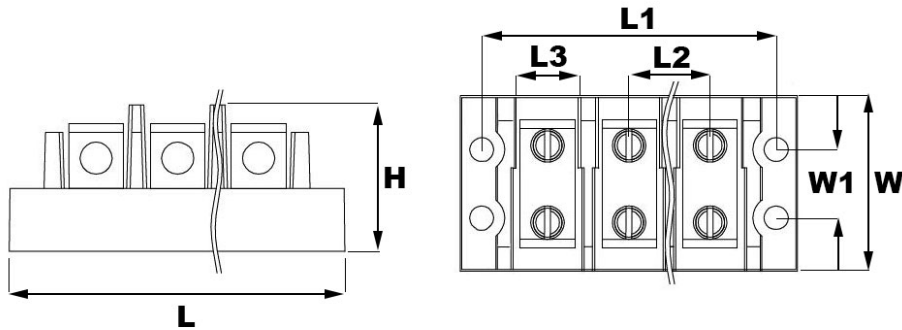





Product	TGP-050-06BSS	TGP-050-07BSS	TGP-050-08BSS	TGP-050-09BSS
Specifications				
Total Length (L) [mm]	110.0 (4.331")	125.0 (4.921")	140.0 (5.512")	155.0 (6.102")
Ref. Length (L1) [mm]	102.0 (4.106")	117.0 (4.606")	132.0 (5.197")	147.0 (5.787")
Ref. Length (L2) [mm]	15.0 (0.591")	15.0 (0.591")	15.0 (0.591")	15.0 (0.591")
Ref. Length (L3) [mm]	10.0 (0.394")	10.0 (0.394")	10.0 (0.394")	10.0 (0.394")
Width (W) [mm]	37.0 (1.457")	37.0 (1.457")	37.0 (1.457")	37.0 (1.457")
Ref. Width (W1) [mm]	16.0 (0.630")	16.0 (0.630")	16.0 (0.630")	16.0 (0.630")
Height (H) [mm]	32.5 (1.280")	32.5 (1.280")	32.5 (1.280")	32.5 (1.280")
Screws	Slotted Set Screw, M6-1.0	Slotted Set Screw, M6-1.0	Slotted Set Screw, M6-1.0	Slotted Set Screw, M6-1.0
Rated Torque [in-lb]	20 in-lb (2.26 Nm)	20 in-lb (2.26 Nm)	20 in-lb (2.26 Nm)	20 in-lb (2.26 Nm)
Poles	6	7	8	9
Electrical Specifications				
Rated Voltage [V]	600V	600V	600V	600V
Rated Current [A]	50A	50A	50A	50A
Wire Size [AWG]	AWG 6-12	AWG 6-12	AWG 6-12	AWG 6-12
Wire Size [mm ²]	14-3.5mm ²	14-3.5mm ²	14-3.5mm ²	14-3.5mm ²
Materials				
Insulator Materials	PBT	PBT	PBT	PBT
Color	BLACK	BLACK	BLACK	BLACK
Flame Retarded Grade	UL 94V-0	UL 94V-0	UL 94V-0	UL 94V-0
Temperature	120°C	120°C	120°C	120°C
Certification	UL/cUL E235927	UL/cUL E235927	UL/cUL E235927	UL/cUL E235927



POWER SPLICER TERMINAL BLOCKS (TGP-050)

(TGP-050), BSS Type

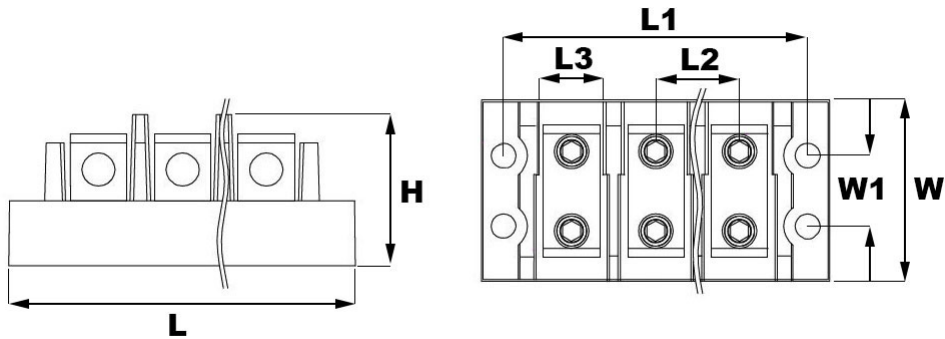






Product	TGP-050-10BSS	TGP-050-11BSS	TGP-050-12BSS
Specifications			
Total Length (L) [mm]	170.0 (6.693")	185.0 (7.283")	200.0 (7.874")
Ref. Length (L1) [mm]	162.0 (6.378")	177.0 (6.969")	192.0 (7.559")
Ref. Width (L2) [mm]	15.0 (0.591")	15.0 (0.591")	15.0 (0.591")
Ref. Width (L3) [mm]	10.0 (0.394")	10.0 (0.394")	10.0 (0.394")
Width (W) [mm]	37.0 (1.457")	37.0 (1.457")	37.0 (1.457")
Ref. Width (W1) [mm]	16.0 (0.630")	16.0 (0.630")	16.0 (0.630")
Height (H) [mm]	32.5 (1.280")	32.5 (1.280")	32.5 (1.280")
Screws	Slotted Set Screw, M6-1.0	Slotted Set Screw, M6-1.0	Slotted Set Screw, M6-1.0
Rated Torque [in-lb]	20 in-lb (2.26 Nm)	20 in-lb (2.26 Nm)	20 in-lb (2.26 Nm)
Poles	10	11	12
Electrical Specifications			
Rated Voltage [V]	600V	600V	600V
Rated Current [A]	50A	50A	50A
Wire Size [AWG]	AWG 6-12	AWG 6-12	AWG 6-12
Wire Size [mm ²]	14-3.5mm ²	14-3.5mm ²	14-3.5mm ²
Materials			
Base Materials	PBT	PBT	PBT
Color	BLACK	BLACK	BLACK
Flame Retarded Grade	UL 94V-0	UL 94V-0	UL 94V-0
Temperature	120°C	120°C	120°C
Certification	UL/cUL E235927	UL/cUL E235927	UL/cUL E235927



POWER SPLICER TERMINAL BLOCKS (TGP-050)

(TGP-050), BHH Type

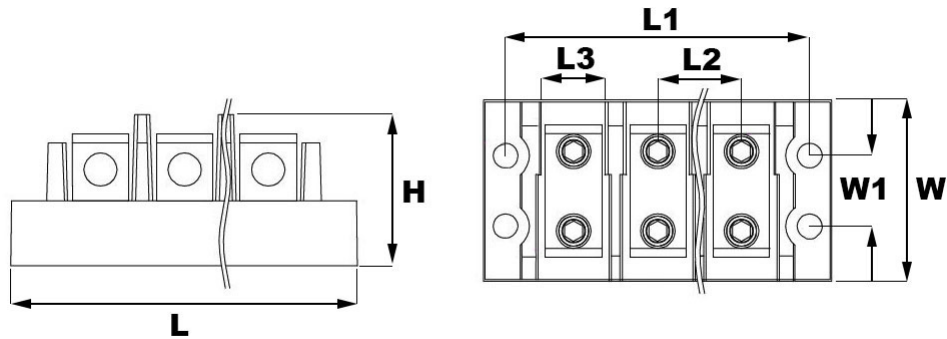






Product	TGP-050-02BHH	TGP-050-03BHH	TGP-050-04BHH	TGP-050-05BHH
Specifications				
Total Length (L) [mm]	50.0 (1.969")	65.0 (2.559")	80.0 (3.150")	95.0 (3.740")
Ref. Length (L1) [mm]	42.0 (1.654")	57.0 (2.244")	72.0 (2.835")	87.0 (3.425")
Ref. Length (L2) [mm]	15.0 (0.591")	15.0 (0.591")	15.0 (0.591")	15.0 (0.591")
Ref. Length (L3) [mm]	10.0 (0.394")	10.0 (0.394")	10.0 (0.394")	10.0 (0.394")
Width (W) [mm]	37.0 (1.457")	37.0 (1.457")	37.0 (1.457")	37.0 (1.457")
Ref. Width (W1) [mm]	16.0 (0.630")	16.0 (0.630")	16.0 (0.630")	16.0 (0.630")
Height (H) [mm]	32.5 (1.280")	32.5 (1.280")	32.5 (1.280")	32.5 (1.280")
Screws	Hexagon Socket Set Screw, M6-1.0	Hexagon Socket Set Screw, M6-1.0	Hexagon Socket Set Screw, M6-1.0	Hexagon Socket Set Screw, M6-1.0
Rated Torque [in-lb]	20 in-lb (2.26 Nm)	20 in-lb (2.26 Nm)	20 in-lb (2.26 Nm)	20 in-lb (2.26 Nm)
Poles	2	3	4	5
Electrical Specifications				
Rated Voltage [V]	600V	600V	600V	600V
Rated Current [A]	50A	50A	50A	50A
Wire Size [AWG]	AWG 6-12	AWG 6-12	AWG 6-12	AWG 6-12
Wire Size [mm ²]	14-3.5mm ²	14-3.5mm ²	14-3.5mm ²	14-3.5mm ²
Materials				
Insulator Materials	PBT	PBT	PBT	PBT
Color	BLACK	BLACK	BLACK	BLACK
Flame Retarded Grade	UL 94V-0	UL 94V-0	UL 94V-0	UL 94V-0
Temperature	120°C	120°C	120°C	120°C
Certification	UL/cUL E235927	UL/cUL E235927	UL/cUL E235927	UL/cUL E235927



POWER SPLICER TERMINAL BLOCKS (TGP-050)

(TGP-050), BHH Type

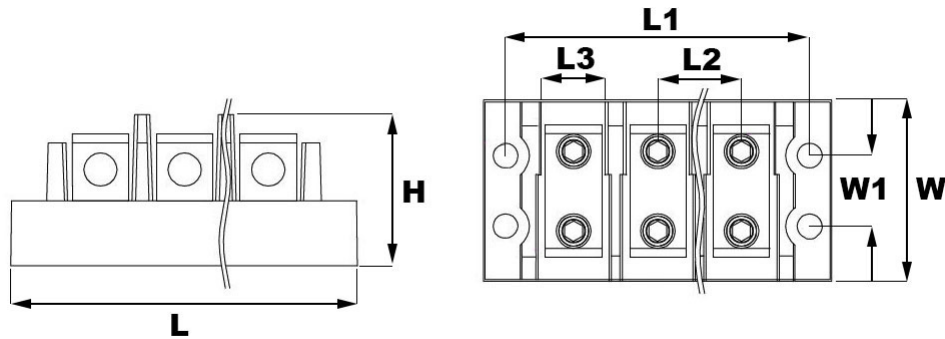





Product	TGP-050-06BHH	TGP-050-07BHH	TGP-050-08BHH	TGP-050-09BHH
Specifications				
Total Length (L) [mm]	110.0 (4.331")	125.0 (4.921")	140.0 (5.512")	155.0 (6.102")
Ref. Length (L1) [mm]	102.0 (4.106")	117.0 (4.606")	132.0 (5.197")	147.0 (5.787")
Ref. Length (L2) [mm]	15.0 (0.591")	15.0 (0.591")	15.0 (0.591")	15.0 (0.591")
Ref. Length (L3) [mm]	10.0 (0.394")	10.0 (0.394")	10.0 (0.394")	10.0 (0.394")
Width (W) [mm]	37.0 (1.457")	37.0 (1.457")	37.0 (1.457")	37.0 (1.457")
Ref. Width (W1) [mm]	16.0 (0.630")	16.0 (0.630")	16.0 (0.630")	16.0 (0.630")
Height (H) [mm]	32.5 (1.280")	32.5 (1.280")	32.5 (1.280")	32.5 (1.280")
Screws	Hexagon Socket Set Screw, M6-1.0	Hexagon Socket Set Screw, M6-1.0	Hexagon Socket Set Screw, M6-1.0	Hexagon Socket Set Screw, M6-1.0
Rated Torque [in-lb]	20 in-lb (2.26 Nm)	20 in-lb (2.26 Nm)	20 in-lb (2.26 Nm)	20 in-lb (2.26 Nm)
Poles	6	7	8	9
Electrical Specifications				
Rated Voltage [V]	600V	600V	600V	600V
Rated Current [A]	50A	50A	50A	50A
Wire Size [AWG]	AWG 6-12	AWG 6-12	AWG 6-12	AWG 6-12
Wire Size [mm ²]	14-3.5mm ²	14-3.5mm ²	14-3.5mm ²	14-3.5mm ²
Materials				
Insulator Materials	PBT	PBT	PBT	PBT
Color	BLACK	BLACK	BLACK	BLACK
Flame Retarded Grade	UL 94V-0	UL 94V-0	UL 94V-0	UL 94V-0
Temperature	120°C	120°C	120°C	120°C
Certification	UL/cUL E235927	UL/cUL E235927	UL/cUL E235927	UL/cUL E235927



POWER SPLICER TERMINAL BLOCKS (TGP-050)

(TGP-050), BHH Type

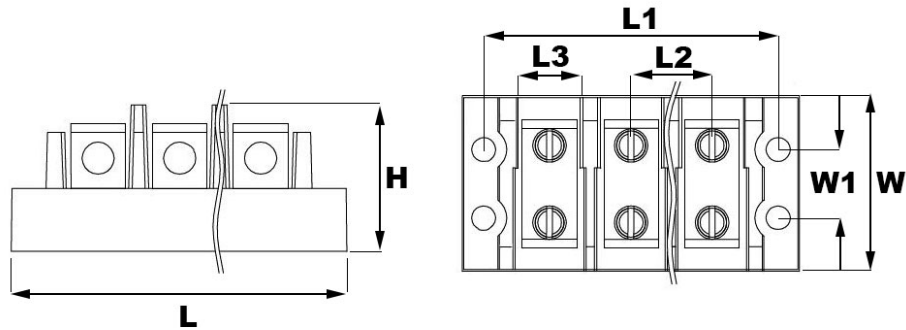






Product	TGP-050-10BHH	TGP-050-11BHH	TGP-050-12BHH
Specifications			
Total Length (L) [mm]	170.0 (6.693")	185.0 (7.283")	200.0 (7.874")
Ref. Length (L1) [mm]	162.0 (6.378")	177.0 (6.969")	192.0 (7.559")
Ref. Width (L2) [mm]	15.0 (0.591")	15.0 (0.591")	15.0 (0.591")
Ref. Width (L3) [mm]	10.0 (0.394")	10.0 (0.394")	10.0 (0.394")
Width (W) [mm]	37.0 (1.457")	37.0 (1.457")	37.0 (1.457")
Ref. Width (W1) [mm]	16.0 (0.630")	16.0 (0.630")	16.0 (0.630")
Height (H) [mm]	32.5 (1.280")	32.5 (1.280")	32.5 (1.280")
Screws	Hexagon Socket Set Screw, M6-1.0	Hexagon Socket Set Screw, M6-1.0	Hexagon Socket Set Screw, M6-1.0
Rated Torque [in-lb]	20 in-lb (2.26 Nm)	20 in-lb (2.26 Nm)	20 in-lb (2.26 Nm)
Poles	10	11	12
Electrical Specifications			
Rated Voltage [V]	600V	600V	600V
Rated Current [A]	50A	50A	50A
Wire Size [AWG]	AWG 6-12	AWG 6-12	AWG 6-12
Wire Size [mm ²]	14-3.5mm ²	14-3.5mm ²	14-3.5mm ²
Materials			
Base Materials	PBT	PBT	PBT
Color	BLACK	BLACK	BLACK
Flame Retarded Grade	UL 94V-0	UL 94V-0	UL 94V-0
Temperature	120°C	120°C	120°C
Certification	UL/cUL E235927	UL/cUL E235927	UL/cUL E235927



POWER SPLICER TERMINAL BLOCKS (TGP-050)

(TGP-050), BHS Type

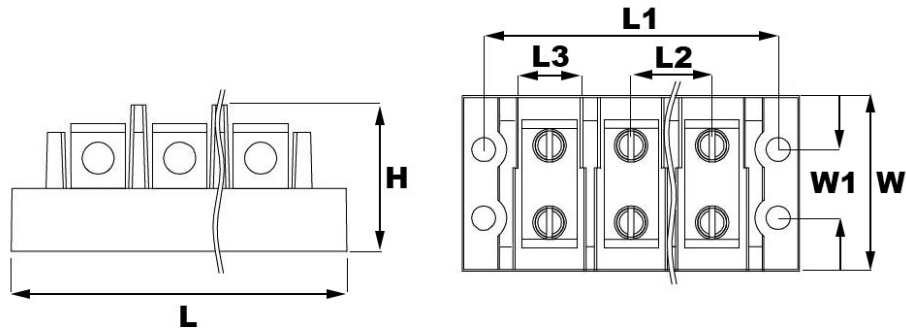






Product	TGP-050-02BHS	TGP-050-03BHS	TGP-050-04BHS	TGP-050-05BHS
Specifications				
Total Length (L) [mm]	50.0 (1.969")	65.0 (2.559")	80.0 (3.150")	95.0 (3.740")
Ref. Length (L1) [mm]	42.0 (1.654")	57.0 (2.244")	72.0 (2.835")	87.0 (3.425")
Ref. Length (L2) [mm]	15.0 (0.591")	15.0 (0.591")	15.0 (0.591")	15.0 (0.591")
Ref. Length (L3) [mm]	10.0 (0.394")	10.0 (0.394")	10.0 (0.394")	10.0 (0.394")
Width (W) [mm]	37.0 (1.457")	37.0 (1.457")	37.0 (1.457")	37.0 (1.457")
Ref. Width (W1) [mm]	16.0 (0.630")	16.0 (0.630")	16.0 (0.630")	16.0 (0.630")
Height (H) [mm]	32.5 (1.280")	32.5 (1.280")	32.5 (1.280")	32.5 (1.280")
Screws	Hexagon Socket Set Screw; Slotted Set Screw, M6-1.0	Hexagon Socket Set Screw; Slotted Set Screw, M6-1.0	Hexagon Socket Set Screw; Slotted Set Screw, M6-1.0	Hexagon Socket Set Screw; Slotted Set Screw, M6-1.0
Rated Torque [in-lb]	20 in-lb (2.26 Nm)	20 in-lb (2.26 Nm)	20 in-lb (2.26 Nm)	20 in-lb (2.26 Nm)
Poles	2	3	4	5
Electrical Specifications				
Rated Voltage [V]	600V	600V	600V	600V
Rated Current [A]	50A	50A	50A	50A
Wire Size [AWG]	AWG 6-12	AWG 6-12	AWG 6-12	AWG 6-12
Wire Size [mm ²]	14-3.5mm ²	14-3.5mm ²	14-3.5mm ²	14-3.5mm ²
Materials				
Insulator Materials	PBT	PBT	PBT	PBT
Color	BLACK	BLACK	BLACK	BLACK
Flame Retarded Grade	UL 94V-0	UL 94V-0	UL 94V-0	UL 94V-0
Temperature	120°C	120°C	120°C	120°C
Certification	UL/cUL E235927	UL/cUL E235927	UL/cUL E235927	UL/cUL E235927



POWER SPLICER TERMINAL BLOCKS (TGP-050)

(TGP-050), BHS Type

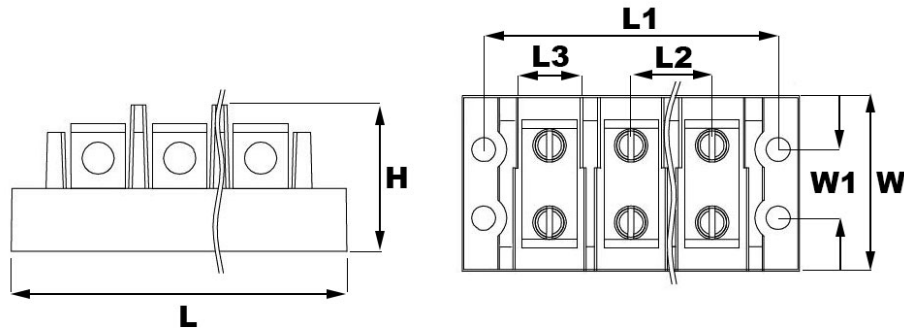





Product	TGP-050-06BHS	TGP-050-07BHS	TGP-050-08BHS	TGP-050-09BHS
Specifications				
Total Length (L) [mm]	110.0 (4.331")	125.0 (4.921")	140.0 (5.512")	155.0 (6.102")
Ref. Length (L1) [mm]	102.0 (4.106")	117.0 (4.606")	132.0 (5.197")	147.0 (5.787")
Ref. Length (L2) [mm]	15.0 (0.591")	15.0 (0.591")	15.0 (0.591")	15.0 (0.591")
Ref. Length (L3) [mm]	10.0 (0.394")	10.0 (0.394")	10.0 (0.394")	10.0 (0.394")
Width (W) [mm]	37.0 (1.457")	37.0 (1.457")	37.0 (1.457")	37.0 (1.457")
Ref. Width (W1) [mm]	16.0 (0.630")	16.0 (0.630")	16.0 (0.630")	16.0 (0.630")
Height (H) [mm]	32.5 (1.280")	32.5 (1.280")	32.5 (1.280")	32.5 (1.280")
Screws	Hexagon Socket Set Screw; Slotted Set Screw, M6-1.0	Hexagon Socket Set Screw; Slotted Set Screw, M6-1.0	Hexagon Socket Set Screw; Slotted Set Screw, M6-1.0	Hexagon Socket Set Screw; Slotted Set Screw, M6-1.0
Rated Torque [in-lb]	20 in-lb (2.26 Nm)	20 in-lb (2.26 Nm)	20 in-lb (2.26 Nm)	20 in-lb (2.26 Nm)
Poles	6	7	8	9
Electrical Specifications				
Rated Voltage [V]	600V	600V	600V	600V
Rated Current [A]	50A	50A	50A	50A
Wire Size [mm ²]	14-3.5mm ²	14-3.5mm ²	14-3.5mm ²	14-3.5mm ²
Wire Size [AWG]	AWG 6-12	AWG 6-12	AWG 6-12	AWG 6-12
Materials				
Insulator Materials	PBT	PBT	PBT	PBT
Color	BLACK	BLACK	BLACK	BLACK
Flame Retarded Grade	UL 94V-0	UL 94V-0	UL 94V-0	UL 94V-0
Temperature	120°C	120°C	120°C	120°C
Certification	UL/cUL E235927	UL/cUL E235927	UL/cUL E235927	UL/cUL E235927



POWER SPLICER TERMINAL BLOCKS (TGP-050)

(TGP-050), BHS Type



Product	TGP-050-10BHS	TGP-050-11BHS	TGP-050-12BHS
Specifications			
Total Length (L) [mm]	170.0 (6.693")	185.0 (7.283")	200.0 (7.874")
Ref. Length (L1) [mm]	162.0 (6.378")	177.0 (6.969")	192.0 (7.559")
Ref. Width (L2) [mm]	15.0 (0.591")	15.0 (0.591")	15.0 (0.591")
Ref. Width (L3) [mm]	10.0 (0.394")	10.0 (0.394")	10.0 (0.394")
Width (W) [mm]	37.0 (1.457")	37.0 (1.457")	37.0 (1.457")
Ref. Width (W1) [mm]	16.0 (0.630")	16.0 (0.630")	16.0 (0.630")
Height (H) [mm]	32.5 (1.280")	32.5 (1.280")	32.5 (1.280")
Screws	Hexagon Socket Set Screw; Slotted Set Screw, M6-1.0	Hexagon Socket Set Screw; Slotted Set Screw, M6-1.0	Hexagon Socket Set Screw; Slotted Set Screw, M6-1.0
Rated Torque [in-lb]	20 in-lb (2.26 Nm)	20 in-lb (2.26 Nm)	20 in-lb (2.26 Nm)
Poles	10	11	12
Electrical Specifications			
Rated Voltage [V]	600V	600V	600V
Rated Current [A]	50A	50A	50A
Wire Size [mm ²]	14-3.5mm ²	14-3.5mm ²	14-3.5mm ²
Wire Size [AWG]	AWG 6-12	AWG 6-12	AWG 6-12
Materials			
Base Materials	PBT	PBT	PBT
Color	BLACK	BLACK	BLACK
Flame Retarded Grade	UL 94V-0	UL 94V-0	UL 94V-0
Temperature	120°C	120°C	120°C
Certification	UL/cUL E235927	UL/cUL E235927	UL/cUL E235927