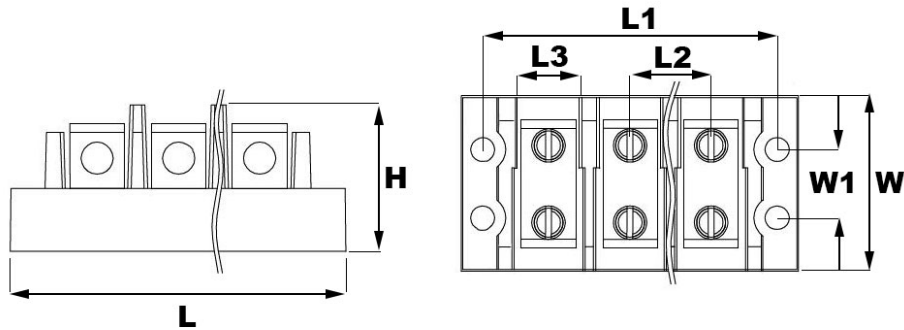








POWER SPLICER TERMINAL BLOCKS (TGP-085)

(TGP-085), BSS Type

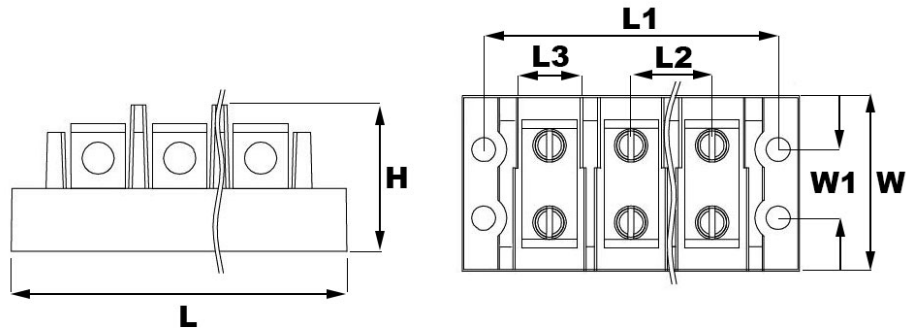





Product	TGP-085-02BSS	TGP-085-03BSS	TGP-085-04BSS	TGP-085-05BSS
Specifications				
Total Length (L) [mm]	59.8 (2.354")	79.0 (3.110")	97.4 (3.835")	116.8 (4.598")
Ref. Length (L1) [mm]	48.0 (1.890")	67.0 (2.638")	86.0 (3.386")	105.0 (4.134")
Ref. Length (L2) [mm]	19.0 (0.748")	19.0 (0.748")	19.0 (0.748")	19.0 (0.748")
Ref. Length (L3) [mm]	16.0 (0.630")	16.0 (0.630")	16.0 (0.630")	16.0 (0.630")
Width (W) [mm]	41.0 (1.614")	41.0 (1.614")	41.0 (1.614")	41.0 (1.614")
Ref. Width (W1) [mm]	16.0 (0.630")	16.0 (0.630")	16.0 (0.630")	16.0 (0.630")
Height (H) [mm]	33.2 (1.307")	33.2 (1.307")	33.2 (1.307")	33.2 (1.307")
Screws	Slotted Set Screw, 5/16-24	Slotted Set Screw, 5/16-24	Slotted Set Screw, 5/16-24	Slotted Set Screw, 5/16-24
Rated Torque [in-lb]	60 in-lb	60 in-lb	60 in-lb	60 in-lb
Poles	2	3	4	5
Electrical Specifications				
Rated Voltage [V]	600V	600V	600V	600V
Rated Current [A]	85A	85A	85A	85A
Wire Size [AWG]	#2-14 AWG	#2-14 AWG	#2-14 AWG	#2-14 AWG
Wire Size [mm ²]	2.0-22 mm ²	2.0-22 mm ²	2.0-22 mm ²	2.0-22 mm ²
Materials				
Insulator Materials	PBT	PBT	PBT	PBT
Color	BLACK	BLACK	BLACK	BLACK
Flame Retarded Grade	UL 94V-0	UL 94V-0	UL 94V-0	UL 94V-0
Temperature	120°C	120°C	120°C	120°C
Certification	UL/cUL E235927	UL/cUL E235927	UL/cUL E235927	UL/cUL E235927



POWER SPLICER TERMINAL BLOCKS (TGP-085)

(TGP-085), BSS Type

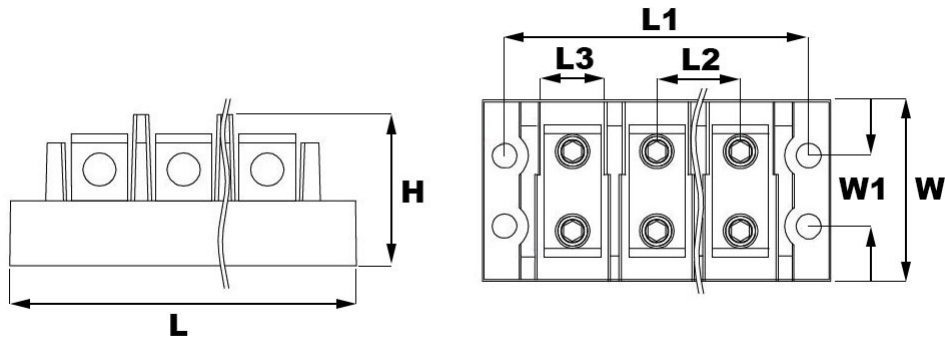






Product	TGP-085-06BSS	TGP-085-07BSS	TGP-085-08BSS
Specifications			
Total Length (L) [mm]	136.2 (5.362")	154.8 (6.094")	174.0 (6.850")
Ref. Length (L1) [mm]	124.0 (4.882")	143.0 (5.630")	162.0 (6.378")
Ref. Length (L2) [mm]	19.0 (0.748")	19.0 (0.748")	19.0 (0.748")
Ref. Length (L3) [mm]	16.0 (0.630")	16.0 (0.630")	16.0 (0.630")
Width (W) [mm]	41.0 (1.614")	41.0 (1.614")	41.0 (1.614")
Ref. Width (W1) [mm]	16.0 (0.630")	16.0 (0.630")	16.0 (0.630")
Height (H) [mm]	33.2 (1.307")	33.2 (1.307")	33.2 (1.307")
Screws	Slotted Set Screw, 5/16-24	Slotted Set Screw, 5/16-24	Slotted Set Screw, 5/16-24
Rated Torque [in-lb]	60 in-lb	60 in-lb	60 in-lb
Poles	6	7	8
Electrical Specifications			
Rated Voltage [V]	600V	600V	600V
Rated Current [A]	85A	85A	85A
Wire Size [AWG]	#2-14 AWG	#2-14 AWG	#2-14 AWG
Wire Size [mm ²]	2.0-22 mm ²	2.0-22 mm ²	2.0-22 mm ²
Materials			
Insulator Materials	PBT	PBT	PBT
Color	BLACK	BLACK	BLACK
Flame Retarded Grade	UL 94V-0	UL 94V-0	UL 94V-0
Temperature	120°C	120°C	120°C
Certification	UL/cUL E235927	UL/cUL E235927	UL/cUL E235927



POWER SPLICER TERMINAL BLOCKS (TGP-085)

(TGP-085), BHH Type

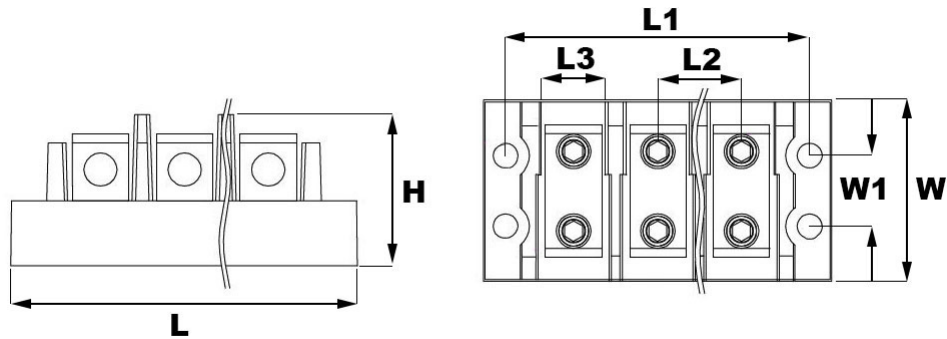





Product	TGP-085-02BHH	TGP-085-03BHH	TGP-085-04BHH	TGP-085-05BHH
Specifications				
Total Length (L) [mm]	59.8 (2.354")	79.0 (3.110")	97.4 (3.835")	116.8 (4.598")
Ref. Length (L1) [mm]	48.0 (1.890")	67.0 (2.638")	86.0 (3.386")	105.0 (4.134")
Ref. Length (L2) [mm]	19.0 (0.748")	19.0 (0.748")	19.0 (0.748")	19.0 (0.748")
Ref. Length (L3) [mm]	16.0 (0.630")	16.0 (0.630")	16.0 (0.630")	16.0 (0.630")
Width (W) [mm]	41.0 (1.614")	41.0 (1.614")	41.0 (1.614")	41.0 (1.614")
Ref. Width (W1) [mm]	16.0 (0.630")	16.0 (0.630")	16.0 (0.630")	16.0 (0.630")
Height (H) [mm]	33.2 (1.307")	33.2 (1.307")	33.2 (1.307")	33.2 (1.307")
Screws	Hexagon Socket Set Screw, 5/16-24	Hexagon Socket Set Screw, 5/16-24	Hexagon Socket Set Screw, 5/16-24	Hexagon Socket Set Screw, 5/16-24
Rated Torque [in-lb]	60 in-lb	60 in-lb	60 in-lb	60 in-lb
Poles	2	3	4	5
Electrical Specifications				
Rated Voltage [V]	600V	600V	600V	600V
Rated Current [A]	85A	85A	85A	85A
Wire Size [AWG]	#2-14 AWG	#2-14 AWG	#2-14 AWG	#2-14 AWG
Wire Size [mm ²]	2.0-22 mm ²	2.0-22 mm ²	2.0-22 mm ²	2.0-22 mm ²
Materials				
Insulator Materials	PBT	PBT	PBT	PBT
Color	BLACK	BLACK	BLACK	BLACK
Flame Retarded Grade	UL 94V-0	UL 94V-0	UL 94V-0	UL 94V-0
Temperature	120°C	120°C	120°C	120°C
Certification	UL/cUL E235927	UL/cUL E235927	UL/cUL E235927	UL/cUL E235927



POWER SPLICER TERMINAL BLOCKS (TGP-085)

(TGP-085), BHH Type

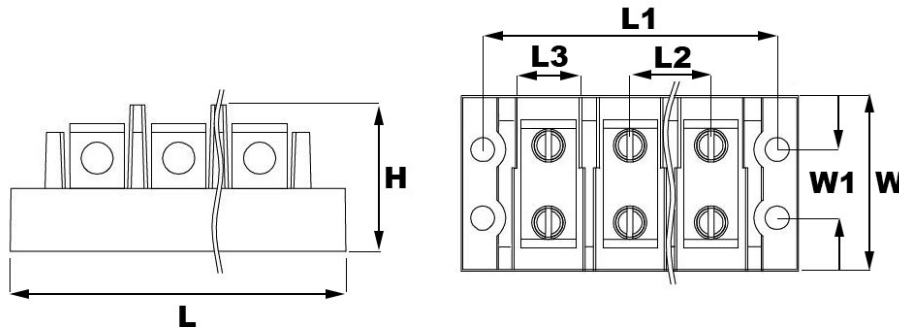






Product	TGP-085-06BHH	TGP-085-07BHH	TGP-085-08BHH
Specifications			
Total Length (L) [mm]	136.2 (5.362")	154.8 (6.094")	174.0 (6.850")
Ref. Length (L1) [mm]	124.0 (4.882")	143.0 (5.630")	162.0 (6.378")
Ref. Length (L2) [mm]	19.0 (0.748")	19.0 (0.748")	19.0 (0.748")
Ref. Length (L3) [mm]	16.0 (0.630")	16.0 (0.630")	16.0 (0.630")
Width (W) [mm]	41.0 (1.614")	41.0 (1.614")	41.0 (1.614")
Ref. Width (W1) [mm]	16.0 (0.630")	16.0 (0.630")	16.0 (0.630")
Height (H) [mm]	33.2 (1.307")	33.2 (1.307")	33.2 (1.307")
Screws	Hexagon Socket Set Screw, 5/16-24	Hexagon Socket Set Screw, 5/16-24	Hexagon Socket Set Screw, 5/16-24
Rated Torque [in-lb]	60 in-lb	60 in-lb	60 in-lb
Poles	6	7	8
Electrical Specifications			
Rated Voltage [V]	600V	600V	600V
Rated Current [A]	85A	85A	85A
Wire Size [AWG]	#2-14 AWG	#2-14 AWG	#2-14 AWG
Wire Size [mm ²]	2.0-22 mm ²	2.0-22 mm ²	2.0-22 mm ²
Materials			
Insulator Materials	PBT	PBT	PBT
Color	BLACK	BLACK	BLACK
Flame Retarded Grade	UL 94V-0	UL 94V-0	UL 94V-0
Temperature	120°C	120°C	120°C
Certification	UL/cUL E235927	UL/cUL E235927	UL/cUL E235927



POWER SPLICER TERMINAL BLOCKS (TGP-085)

(TGP-085), BHS Type

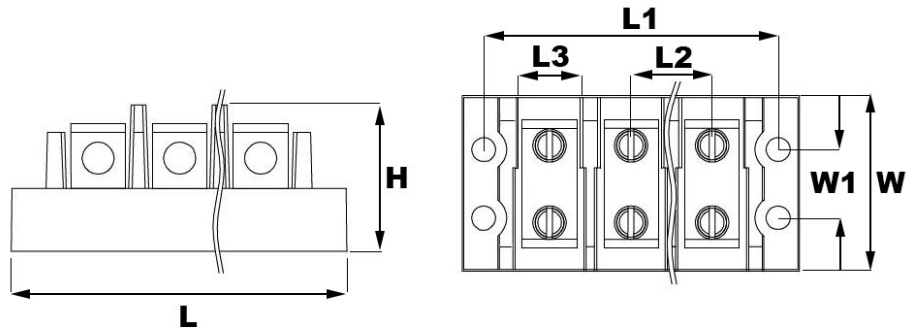





Product	TGP-085-02BHS	TGP-085-03BHS	TGP-085-04BHS	TGP-085-05BHS
Specifications				
Total Length (L) [mm]	59.8 (2.354")	79.0 (3.110")	97.4 (3.835")	116.8 (4.598")
Ref. Length (L1) [mm]	48.0 (1.890")	67.0 (2.638")	86.0 (3.386")	105.0 (4.134")
Ref. Length (L2) [mm]	19.0 (0.748")	19.0 (0.748")	19.0 (0.748")	19.0 (0.748")
Ref. Length (L3) [mm]	16.0 (0.630")	16.0 (0.630")	16.0 (0.630")	16.0 (0.630")
Width (W) [mm]	41.0 (1.614")	41.0 (1.614")	41.0 (1.614")	41.0 (1.614")
Ref. Width (W1) [mm]	16.0 (0.630")	16.0 (0.630")	16.0 (0.630")	16.0 (0.630")
Height (H) [mm]	33.2 (1.307")	33.2 (1.307")	33.2 (1.307")	33.2 (1.307")
Screws	Hexagon Socket Set Screw; Slotted Set Screw, 5/16-24	Hexagon Socket Set Screw; Slotted Set Screw, 5/16-24	Hexagon Socket Set Screw; Slotted Set Screw, 5/16-24	Hexagon Socket Set Screw; Slotted Set Screw, 5/16-24
Rated Torque [in-lb]	60 in-lb	60 in-lb	60 in-lb	60 in-lb
Poles	2	3	4	5
Electrical Specifications				
Rated Voltage [V]	600V	600V	600V	600V
Rated Current [A]	85A	85A	85A	85A
Wire Size [AWG]	#2-14 AWG	#2-14 AWG	#2-14 AWG	#2-14 AWG
Wire Size [mm ²]	2.0-22 mm ²	2.0-22 mm ²	2.0-22 mm ²	2.0-22 mm ²
Materials				
Insulator Materials	PBT	PBT	PBT	PBT
Color	BLACK	BLACK	BLACK	BLACK
Flame Retarded Grade	UL 94V-0	UL 94V-0	UL 94V-0	UL 94V-0
Temperature	120°C	120°C	120°C	120°C
Certification	UL/cUL E235927	UL/cUL E235927	UL/cUL E235927	UL/cUL E235927



POWER SPLICER TERMINAL BLOCKS (TGP-085)

(TGP-085), BHS Type



Product	TGP-085-06BHS	TGP-085-07BHS	TGP-085-08BHS
Specifications			
Total Length (L) [mm]	136.2 (5.362")	154.8 (6.094")	174.0 (6.850")
Ref. Length (L1) [mm]	124.0 (4.882")	143.0 (5.630")	162.0 (6.378")
Ref. Length (L2) [mm]	19.0 (0.748")	19.0 (0.748")	19.0 (0.748")
Ref. Length (L3) [mm]	16.0 (0.630")	16.0 (0.630")	16.0 (0.630")
Width (W) [mm]	41.0 (1.614")	41.0 (1.614")	41.0 (1.614")
Ref. Width (W1) [mm]	16.0 (0.630")	16.0 (0.630")	16.0 (0.630")
Height (H) [mm]	33.2 (1.307")	33.2 (1.307")	33.2 (1.307")
Screws	Hexagon Socket Set Screw; Slotted Set Screw, 5/16-24	Hexagon Socket Set Screw; Slotted Set Screw, 5/16-24	Hexagon Socket Set Screw; Slotted Set Screw, 5/16-24
Rated Torque [in-lb]	60 in-lb	60 in-lb	60 in-lb
Poles	6	7	8
Electrical Specifications			
Rated Voltage [V]	600V	600V	600V
Rated Current [A]	85A	85A	85A
Wire Size [AWG]	#2-14 AWG	#2-14 AWG	#2-14 AWG
Wire Size [mm ²]	2.0-22 mm ²	2.0-22 mm ²	2.0-22 mm ²
Materials			
Insulator Materials	PBT	PBT	PBT
Color	BLACK	BLACK	BLACK
Flame Retarded Grade	UL 94V-0	UL 94V-0	UL 94V-0
Temperature	120°C	120°C	120°C
Certification	UL/cUL E235927	UL/cUL E235927	UL/cUL E235927